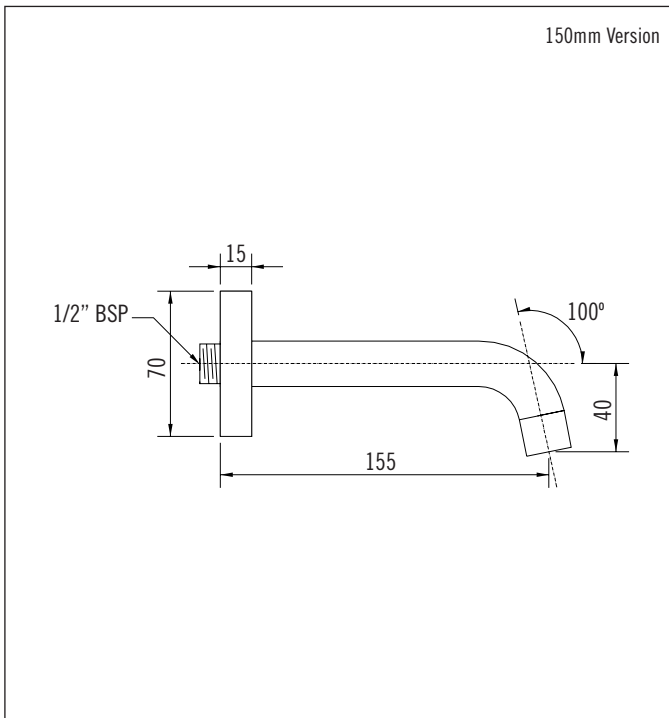


## Divina 150mm Bath Spout



Code: BS DIVINA150

Finish: Chrome

Inlet: 1/2" BSP Male

Installation Hole Diameter: Minimum: 21mm  
Maximum: 58mm

Nominal Length: 150mm

### Aquatika Warranty

Aquatika NZ Limited offer, from the date of purchase, a 2 year warranty on handshowers and rain heads, a 5 year warranty on tapware and accessories and a lifetime warranty on stainless steel sinks.

The pull-out spray parts of our sink mixers have a 2 year warranty.

Aquatika NZ Limited warrants that only high quality workmanship and materials have been employed in the manufacture of its tapware, accessories and stainless steel products. If any faulty workmanship or materials is proven during the warranty period, Aquatica NZ Limited will at its own cost repair or at its option replace the faulty product. Our liability will not extend to damage caused by reasonably foreseeable loss, such as inappropriate materials in a wet area, ie. floating wooden floors. The guarantee is transferable but original proof of purchase from an authorized Aquatica distributor, is required. Any suspected defect must be notified to Aquatica as soon as possible after discovery and any repair work must be performed by a plumber who has received authorisation from Aquatica prior to proceeding with the work. To minimize customer inconvenience, Aquatica may immediately authorise repair work to be undertaken. However, this is not necessarily acceptance of liability.

The use of spray or abrasive cleaners of any kind will void the warranty. (Tapware should only be cleaned with a mild detergent and soft damp cloth).

Failure to use an in-line strainer or filter on lines to tapware incorporating a ceramic cartridge or ceramic disc mechanism may void the warranty.

Water pressure exceeding 1000 kPa will void the warranty.

Every effort has been made to show the products as they will be sold, however, all models and specifications are subject to change without notice.

#### Aquatika NZ Limited

9 Saunders Place,  
Avondale, Auckland.

Tel: 09-828 2068,

Fax: 09-828 2069

Email: [info@aquatica.co.nz](mailto:info@aquatica.co.nz)

or visit our website:

[www.aquatika.co.nz](http://www.aquatika.co.nz)