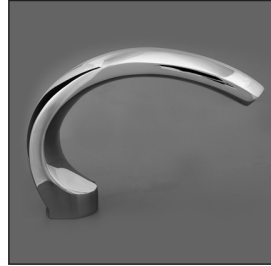
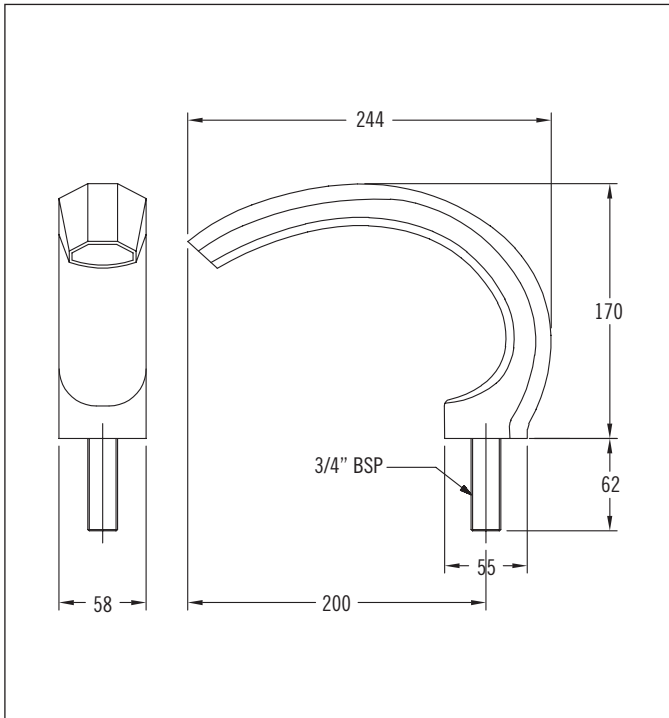


## Hob Mounted Spa Spout



Code: BS SPAHOB

Finish: Chrome

Inlet: 20mm Female

Mounting Hardware: Nut: 32mm A/F

Installation Hole Diameter: Minimum: 27mm  
Maximum: 35mm

Spigot mounting (can be mounted in corner or against wall)

Includes 70mm length of threaded 3/4" BSP tube and nut.

### Aquatika Warranty

Aquatika NZ Limited offer, from the date of purchase, a 2 year warranty on handshowers, a 5 year warranty on tapware and accessories and a lifetime warranty on stainless steel sinks.

Aquatika NZ Limited warrants that only high quality workmanship and materials have been employed in the manufacture of its tapware, accessories and stainless steel products. If any faulty workmanship or materials is proven during the warranty period, Aquatika NZ Limited will at its own cost repair, or at its option replace, the faulty product.

The guarantee is non-transferable and proof of purchase is required.

The use of spray or abrasive cleaners of any kind will void the warranty. (Tapware should only be cleaned with a mild detergent and a soft damp cloth).

Failure to use an in-line strainer or filter on lines to tapware incorporating a ceramic cartridge or ceramic disc mechanism may also void the warranty.

Every effort has been made to show the products as they will be sold, however, all models and specifications are subject to change without notice.

Aquatika NZ Limited

9 Saunders Place,  
Avondale, Auckland.

Tel: 09-828 2068,

Fax: 09-828 2069

Email: [info@aquatika.co.nz](mailto:info@aquatika.co.nz)

or visit our website:

[www.aquatika.co.nz](http://www.aquatika.co.nz)