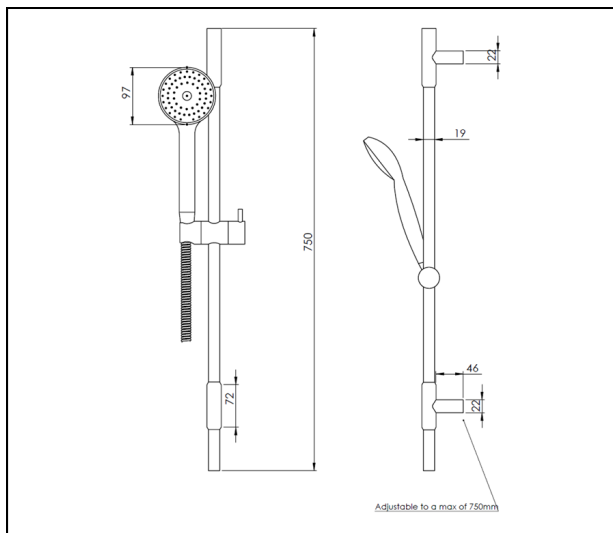


# Handshowers

All measurements are nominal



## Ajusto Fitsall Single Spray Handshower Set



Code:	AJ SS FITSALL
Finish:	AJ SSH (Head only) Chrome
Rail:	
Clamp:	Press to release
Length:	750mm
Rail diameter:	20mm
Spray Hose Construction	Metal wide bore
Length:	1.5m
Spray pattern:	Standard
Wall elbow:	Luxury
Soap dish:	Metallised ABS
WELS: Mains pressure	3 Star
Flow rates	9 l/min with P.C.W. fitted
Low/unequal	3 Star
Max flow @ 35kPa	9 l/min with P.C.W. fitted

### Suitable all pressure

Recommended Pressure  
Operational Range:  
Minimum: 35 kPa  
Recommended: 600 kPa  
Never to Exceed: 1000 kPa  
Maximum Operating  
Temperature: 70°C

### Aquatika Warranty

Aquatika NZ Limited offer, from the date of purchase, a 2 year warranty on handshowers, a 5 year warranty on tapware and accessories and a lifetime warranty on stainless steel sinks.

Aquatika NZ Limited warrants that only high quality workmanship and materials have been employed in the manufacture of its tapware, accessories and stainless steel products. If any faulty workmanship or materials are proven during the warranty period, Aquatika NZ Limited will at its own cost repair, or at its option, replace the faulty product.

The guarantee is non-transferable and proof of purchase is required.

The use of spray or abrasive cleaners of any kind will void the warranty. (Tapware should only be cleaned with a mild detergent and a soft damp cloth).

Failure to use an in-line strainer or filter on lines to tapware incorporating a ceramic cartridge or ceramic disc mechanism may also void the warranty.

Every effort has been made to show the products as they will be sold, however, all models and specifications are subject to change without notice.



Aquatika NZ Limited  
9 Saunders Place  
P O Box 19146  
Avondale, Auckland  
Tel: 09 828 2068  
Fax: 09 828 2069  
Email: info@aquatika.co.nz  
or visit our website  
www.aquatika.co.nz