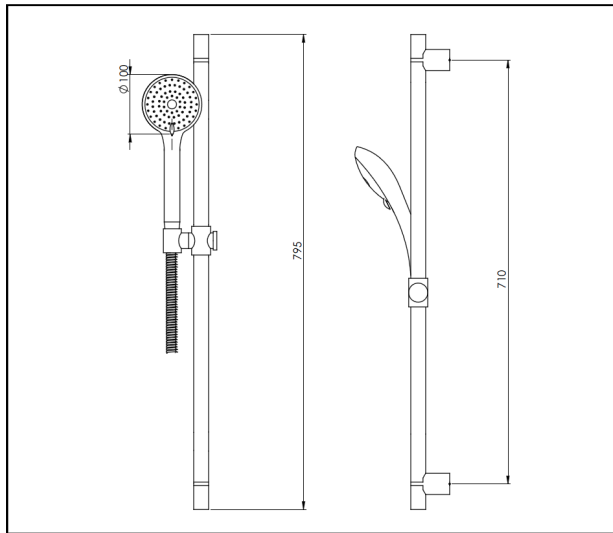


Handshowers

All measurements are nominal



Eco-Smarte Plus Single Spray Handshower



Code:	SM SSHSS PLUS SM SSH (Head only)
Finish:	Chrome
Rail:	Twist to lock 795mm 25mm diameter 710mm
Spray Hose Construction:	Metal widebore
Internal Diameter:	9.0mm
Length:	1.5 metres
End post:	35 x 22mm
Spray Functions:	Standard Spray
Inlet:	1/2" BSP Female
Outlet:	1/2" BSP Male
Wall elbow:	Luxury
Soap dish:	Metalised ABS
WELS: Mains pressure	3 Star
Flow rates	9 l/min with P.C.W. fitted
Low/unequal pressure	3 Star
Max flow @ 35kPa	9 l/min

Suitable all pressures

Recommended Pressure
Operational Range:
Minimum: 150 kPa
Recommended: 600 kPa
Never to Exceed: 1000 kPa
Maximum Operating
Temperature: 70°C

Aquatica Warranty

Aquatica NZ Limited offer, from the date of purchase, a 2 year warranty on handshowers, a 5 year warranty on tapware and accessories and a lifetime warranty on stainless steel sinks.

Aquatica NZ Limited warrants that only high quality workmanship and materials have been employed in the manufacture of its tapware, accessories and stainless steel products. If any faulty workmanship or materials are proven during the warranty period, Aquatica NZ Limited will at its own cost repair, or at its option, replace the faulty product.

The guarantee is non-transferable and proof of purchase is required.

The use of spray or abrasive cleaners of any kind will void the warranty. (Tapware should only be cleaned with a mild detergent and a soft damp cloth).

Failure to use an in-line strainer or filter on lines to tapware incorporating a ceramic cartridge or ceramic disc mechanism may also void the warranty.

Every effort has been made to show the products as they will be sold, however, all models and specifications are subject to change without notice.



Aquatica NZ Limited
9 Saunders Place
P O Box 19146
Avondale, Auckland
Tel: 09 828 2068
Fax: 09 828 2069
Email: info@aquatica.co.nz
or visit our website
www.aquatica.co.nz