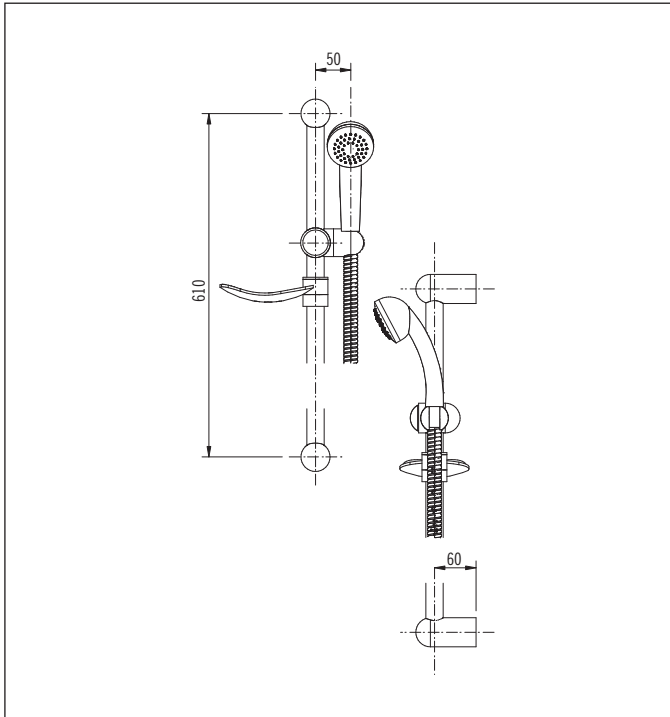


Handshowers

All measurements are nominal



Sprint Single Spray Handshower Set



- Code: SPR SSHSS
- Code: SPR HS Head Only
- Finish: Chrome
- Rail Clamp: Press to release
- Rail Length: 655mm
- Rail Diameter: 25mm
- Centre to Centre: ≈610mm
- Spray Hose Construction: PVC widebore
- Spray Hose Internal Diameter: 9.5mm
- Spray Hose Length: 1.5 metres
- Wall Elbow Installation Hole Diameter:
 - Minimum: 22mm
 - Maximum: 40mm

Supplied complete with soapdish and luxury wall elbow

Handy Tip: Rail can be shortened if required

Note: Sprint Special 1 - same specifications except has a standard elbow; Sprint Special 2 - same specifications except has metal hose and a standard elbow

Equal and unequal pressure

- Recommended Pressure Operational Range:
 - Minimum: 35 kPa
 - Recommended: 600 kPa
 - Never to Exceed: 1000 kPa
- Maximum Operating Temperature: 70°C
- Spray Functions: Standard spray

Aquatica Warranty

Aquatica NZ Limited offer, from the date of purchase, a 2 year warranty on handshowers, a 5 year warranty on tapware and accessories and a lifetime warranty on stainless steel sinks.

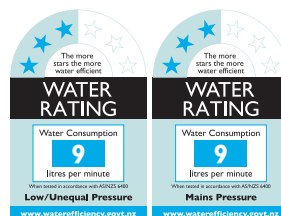
Aquatica NZ Limited warrants that only high quality workmanship and materials have been employed in the manufacture of its tapware, accessories and stainless steel products. If any faulty workmanship or materials is proven during the warranty period, Aquatica NZ Limited will at its own cost repair, or at its option replace, the faulty product.

The guarantee is non-transferable and proof of purchase is required.

The use of spray or abrasive cleaners of any kind will void the warranty. (Tapware should only be cleaned with a mild detergent and a soft damp cloth).

Failure to use an in-line strainer or filter on lines to tapware incorporating a ceramic cartridge or ceramic disc mechanism may also void the warranty.

Every effort has been made to show the products as they will be sold, however, all models and specifications are subject to change without notice.



Aquatica NZ Limited

9 Saunders Place,
 Avondale, Auckland.
 Tel: 09-828 2068,
 Fax: 09-828 2069
 Email: info@aquatica.co.nz
 or visit our website:
 www.aquatica.co.nz