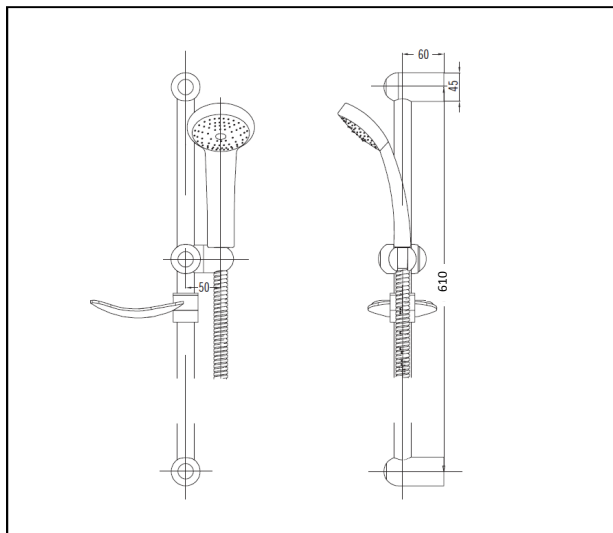


Handshowers

All measurements are nominal



Sinfonia Single Spray Handshower Set



Code:	SN SSHSS SN SSH (Head only)
Finish:	Chrome
Rail:	
Clamp:	Press to release
Length:	657mm
Rail diameter:	25mm
Centre to Centre:	≈610mm
Spray Hose Construction	Metal wide bore
Internal Diameter:	9mm
Length:	1.5m
Spray pattern:	Standard spray
Wall elbow:	Luxury
Soap dish:	Metalised ABS
WELS: Mains pressure	3 Star
Flow rates	9 l/min with P.C.W. fitted
Low/unequal	3 Star
Max flow @ 35kPa	5.4 l/min

Suitable all pressures

Recommended Pressure
Operational Range:
Minimum: 35 kPa
Recommended: 600 kPa
Never to Exceed: 1000 kPa
Maximum Operating
Temperature: 70°C

Aquatika Warranty

Aquatika NZ Limited offer, from the date of purchase, a 2 year warranty on handshowers, a 5 year warranty on tapware and accessories and a lifetime warranty on stainless steel sinks.

Aquatika NZ Limited warrants that only high quality workmanship and materials have been employed in the manufacture of its tapware, accessories and stainless steel products. If any faulty workmanship or materials are proven during the warranty period, Aquatika NZ Limited will at its own cost repair, or at its option, replace the faulty product.

The guarantee is non-transferable and proof of purchase is required.

The use of spray or abrasive cleaners of any kind will void the warranty. (Tapware should only be cleaned with a mild detergent and a soft damp cloth).

Failure to use an in-line strainer or filter on lines to tapware incorporating a ceramic cartridge or ceramic disc mechanism may also void the warranty.

Every effort has been made to show the products as they will be sold, however, all models and specifications are subject to change without notice.

Handy Tip: Rail can be shortened if required



Aquatika NZ Limited
9 Saunders Place
P O Box 19146
Avondale, Auckland
Tel: 09 828 2068
Fax: 09 828 2069
Email: info@aquatika.co.nz
or visit our website
www.aquatika.co.nz