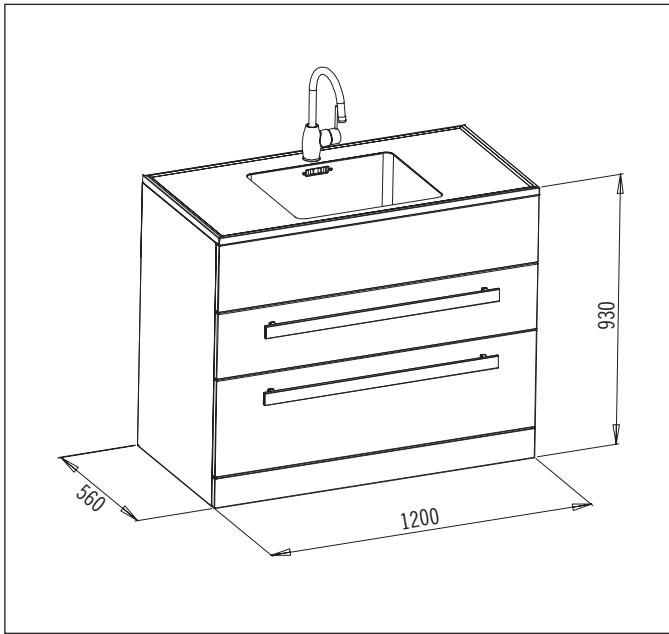


LaundraMax1200 CT/CTO



Suitable all pressures

Recommended Pressure
Operational Range:
Minimum: 35 kPa
Recommended: 600 kPa
Never to Exceed: 1000 kPa
Maximum Operating Temperature: 70°C

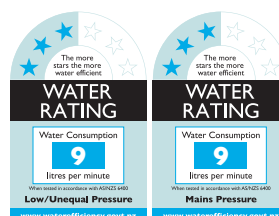
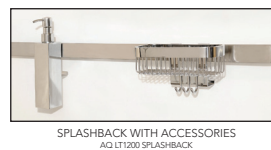
Codes:

- AQ LAUNDRAMX1200 CT - Laundry Tub 1200mm Composite Top, Xera Mixer
- AQ LAUNDRAMX1200 CTL - Laundry Tub 1200mm Composite Top, Left Xera Mixer
- AQ LAUNDRAMX1200 CTR - Laundry Tub 1200mm Composite Top, Right Xera Mixer
- AQ LAUNDRAMX1200 CTO - Laundry Tub 1200mm Composite Top, Oblio Mixer
- AQ LAUNDRAMX1200 CTLO - Laundry Tub 1200mm Composite Top, Left Oblio Mixer
- AQ LAUNDRAMX1200 CTRO - Laundry Tub 1200mm Composite Top, Right Oblio Mixer

- Robust long-life powder-coated galvanised steel cabinet (up to 30% thicker than other cabinets)
- Pressed seamless laundry tub with anti-drip lip
- Single lever all pressure mixer - 5 year warranty
- Hot and cold isolators with dual capped outlets (15mm and 20mm)
- Complete with 3 storage bins in bottom drawer
- Complete with wire storage basket in bottom drawer
- Full extension quality drawer runners to allow full access to storage buckets
- Lifetime warranty on stainless steel bowl
- Designer overflow capacity greater than 25 litres per minute
- 1200mm wide
- Available with Xera Sink Mixer (all pressures) or Oblio Sink Mixer (at an additional charge; mains pressure only)
- Optional left or right bowl
- Composite top only

WELS: Mains pressure	3 Star
Flow rate	9 l/min
Low Pressure	3 Star
Flow rate	9 l/min

Optional Extras



Aquatika Warranty

Aquatika NZ Limited offer the following warranty periods on its range of tapware from the date of purchase.

Residential Use

- Tapware - 5 year warranty
- Handshowers, Shower Roses - 2 year warranty
- Pull-out Sprays and spray heads on Sink Mixer Coils - 2 year warranty
- Commercial tapware - 2 year warranty

Commercial Use

- Tapware - 1 year warranty
- Handshowers, Shower Roses - 1 year warranty
- Pull-out Sprays and spray heads on Sink Mixer Coils - 1 year warranty

Only high quality workmanship and materials have been used in the manufacture of Aquatica's tapware.

If any workmanship or material is proven faulty during the warranty period, Aquatica NZ Limited will, at its own cost or option, repair or replace the faulty product.

The warranty is transferable but the original proof of purchase from an authorised Aquatica distributor is required for all claims.

Aquatika's liability will not extend to damage caused by reasonably foreseeable loss such as inappropriate materials in a wet area ie. floating wooden floors.

Waterlines to tapware incorporating a ceramic cartridge or ceramic disc mechanism should have an inline strainer or filter fitted. Absence of these may void the warranty.

Any suspected defect must be notified to Aquatica as soon as possible after discovery. All repair work must be performed by a plumber who has received authorisation from Aquatica prior to proceeding with the work. Aquatica may immediately authorise repair work to be undertaken, however, this is not necessarily acceptance of liability.

Aquatika guarantee that the tapware will be able to handle temperatures up to a maximum of 70°C.

Water pressure up to 1000 kPa is the maximum limit for the tapware. Above this the warranty will become void.

Serial numbers or tags should not be removed from the products as they are essential in establishing warranty.

Aquatika NZ Limited

9 Saunders Place,
Avondale, Auckland.
Tel: 09-828 2068,
Fax: 09-828 2069
Email: info@aquatica.co.nz
or visit our website:
www.aquatika.co.nz