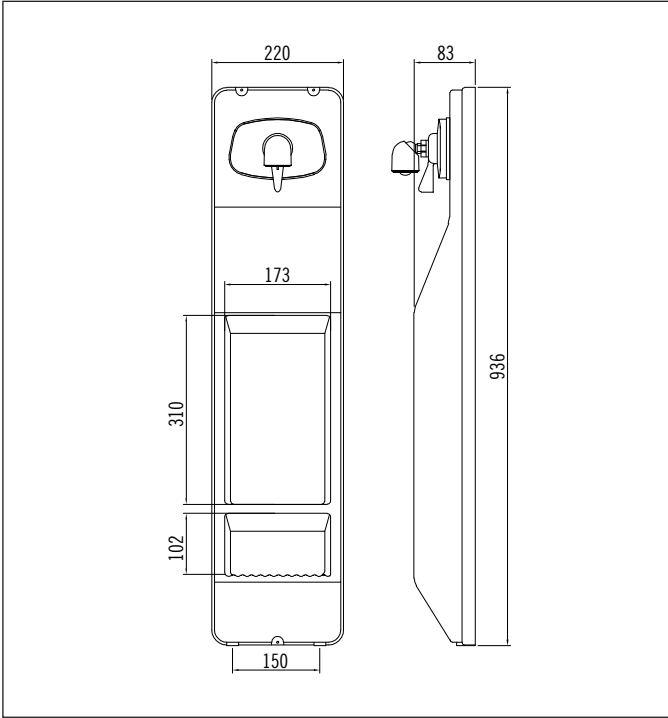


Sherwood Shower Centre



Code: ST XS WB WH
 Code: ST XS WC WH Cover only
 Finish: White

Sherwood covers measures 936mm high x 220mm wide

Inlets: Swivel mounted, with isolator stops 15mm (1/2" BSP)

Top of Sherwood to centre of mixer: 110mm

Venturi-action increases hot water flow

Taps not included

Comes complete with tap adaptors and pipe connections

Recommended Pressure
 Operational Range:
 Minimum: 20 kPa
 Recommended: 600 kPa
 Never to Exceed: 1000 kPa

Maximum Operating
 Temperature: 70°C

Aquatika Warranty

Aquatika NZ Limited offer, from the date of purchase, a 2 year warranty on handshowers, a 5 year warranty on tapware and accessories and a lifetime warranty on stainless steel sinks.

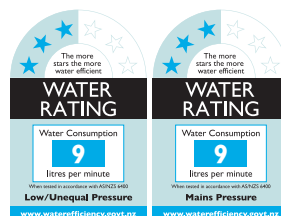
Aquatika NZ Limited warrants that only high quality workmanship and materials have been employed in the manufacture of its tapware, accessories and stainless steel products. If any faulty workmanship or materials is proven during the warranty period, Aquatika NZ Limited will at its own cost repair, or at its option replace, the faulty product.

The guarantee is non-transferable and proof of purchase is required.

The use of spray or abrasive cleaners of any kind will void the warranty. (Tapware should only be cleaned with a mild detergent and a soft damp cloth).

Failure to use an in-line strainer or filter on lines to tapware incorporating a ceramic cartridge or ceramic disc mechanism may also void the warranty.

Every effort has been made to show the products as they will be sold, however, all models and specifications are subject to change without notice.



Aquatika NZ Limited

9 Saunders Place,
 Avondale, Auckland.

Tel: 09-828 2068,

Fax: 09-828 2069

Email: info@aquatika.co.nz

or visit our website:

www.aquatika.co.nz