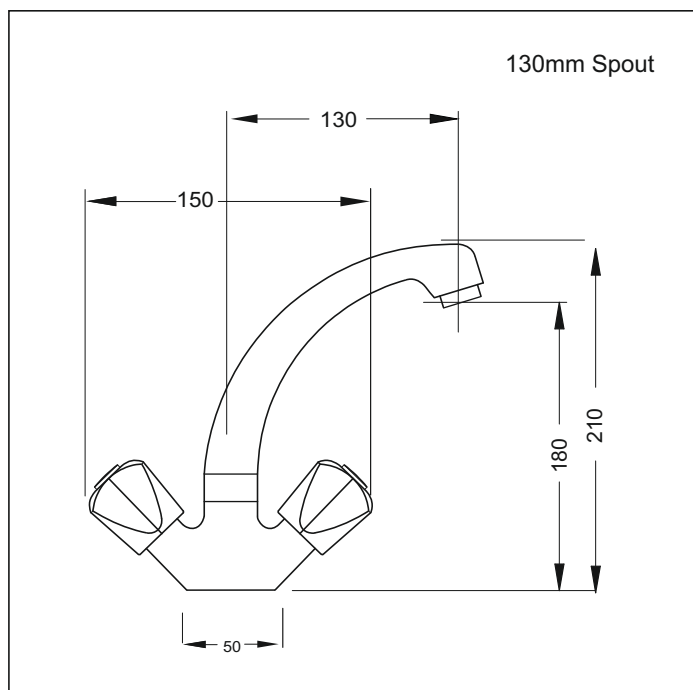


# Berlino

## One Hole Basin Mixer



**Code:** BE 1BASIN

**Finish:** Chrome

**Mechanism:** Half-turn Ceramics

OPTION: Standard ceramic assemblies can be replaced with Standard Jumper washers assemblies.

**Spout:** Swivel 360°

- Normally supplied with 130mm (short) spout
- For large spout with basin (approximately 30mm taller and 65mm longer reach) add code: OPTION SPOUT EXP 195
- For large spout ONLY (approximately 30mm taller and 65mm longer reach) use code: SP NV SPOUT XXL

Fitted with O-ring seal in base - 41mm x 2.5mm

**Body:** Chrome plated brass

**Handle:** Chrome plated zinc

**Stainless Steel Inlet Hoses:**

Size: M10 x 1/2" BSP

Length: 400mm

**Mounting:** Mounting Hardware: Stud: 8mm

Nut: 11mm A/F

Horseshoe Washer

Installation Hole Diameter: Minimum: 32mm

Maximum: 37mm

**Flow Control:** PCA7 fitted for regulated flow with mains pressure system

Max hot @ 35 kPa = 5.8 l/min

aquatica



KIWI OWNED COMPANY

NZ

DESIGNED  
ASSEMBLED  
TESTED



**Aquatica NZ Limited**

9 Saunders Place,  
Avondale, Auckland.

Tel: 09-828 2068,

Fax: 09-828 2069

Email: [info@aquatica.co.nz](mailto:info@aquatica.co.nz)

or visit our website:

[www.aquatica.co.nz](http://www.aquatica.co.nz)

© copyright Aquatica 2019

**Suitable for low/unequal & mains pressure systems**

Recommended Operational Pressure Range: 20 - 600 kPa

Maximum Operating Temp: 80°C Never to Exceed: 1000 kPa

