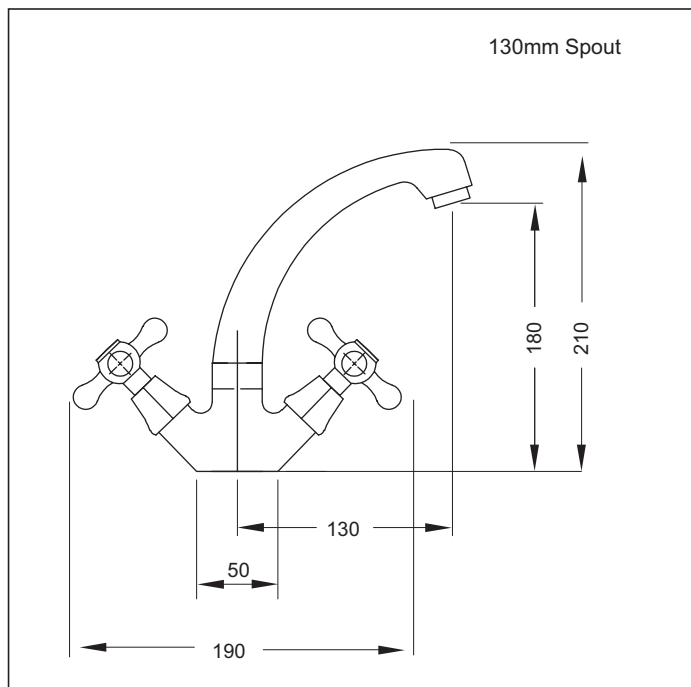


Novecento

One Hole Basin Mixer



Code: NV 1BASIN

Finish: Chrome

Mechanism: Standard Washer

- Range available with half-turn ceramic mechanism on request (add OPTION CERAMIC to code)

Spout: Swivel 360°

- Normally supplied with 130mm (short) spout
- For large spout with basin (approximately 30mm taller and 65mm longer reach) add code: OPTION SPOUT EXP 195
- For large spout ONLY (approximately 30mm taller and 65mm longer reach) use code: SP NV SPOUT XXL

Fitted with O-ring seal in base - 41mm x 2.5mm

Body: Chrome plated brass

Handle: Chrome plated zinc

Stainless Steel Inlet Hoses:

Size: M10 x 1/2" BSP
Length: 400mm

Mounting: Mounting Hardware: Stud: 8mm
Nut: 11mm A/F
Horseshoe Washer

Installation Hole Diameter: Minimum: 32mm
Maximum: 37mm

Flow Control: PCA7 fitted for regulated flow with mains pressure system

Max hot @ 35 kPa = 6.3 l/min

aquatica



KIWI OWNED COMPANY

NZ

DESIGNED
ASSEMBLED
TESTED



Aquatica NZ Limited

9 Saunders Place,
Avondale, Auckland.
Tel: 09-828 2068,
Fax: 09-828 2069
Email: info@aquatica.co.nz
or visit our website:
www.aquatica.co.nz

© copyright Aquatica 2019

Suitable for low/unequal & mains pressure systems

Recommended Operational Pressure Range: 20 - 600 kPa
Maximum Operating Temp: 80°C Never to Exceed: 1000 kPa

