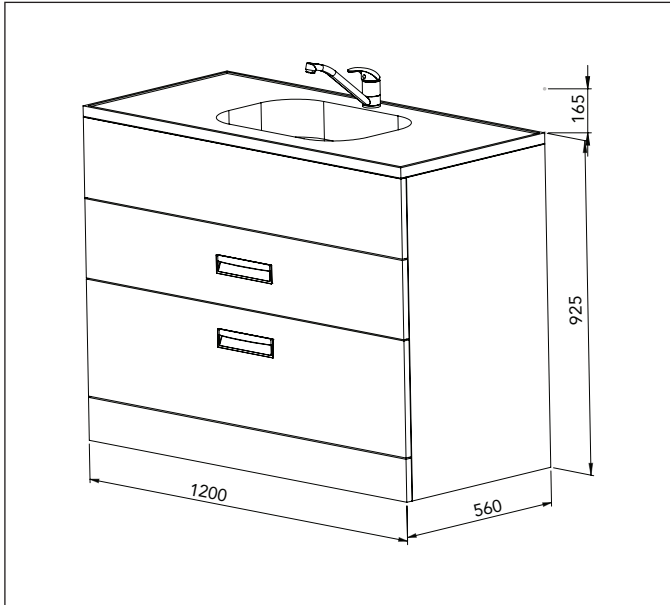


HubTub 1200



Code: AQ HUBTUB1200

- Robust long-life powder-coated galvanised steel cabinet (up to 30% thicker than other cabinets)
- Pressed seamless laundry tub with anti-drip lip
- Single lever all pressure mixer - 5 year warranty
- Hot and cold isolators with dual capped outlets (15mm and 20mm)
- Recessed metal drawer handles
- Full extension quality drawer runners to allow full access to storage buckets
- Lifetime warranty on stainless steel bowl
- Designer overflow capacity greater than 25 litres per minute

OPTIONAL EXTRAS

- Optional acrylic one-piece moulded drawer organiser for the top drawer
- Optional Splashback with rail and two accessories available

WELS: Mains pressure	3 Star
Flow rate	9 l/min
Low Pressure	3 Star
Flow rate	9 l/min



Suitable all pressures

Recommended Pressure

Operational Range:

Minimum: 35 kPa
 Recommended: 600 kPa
 Never to Exceed: 1000 kPa

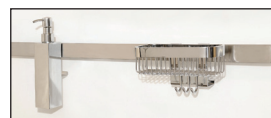
Maximum Operating

Temperature: 70°C

Optional Extras



DRAWER ORGANISER
AQ LT1200 DRAWER ORG



SPLASHBACK WITH ACCESSORIES
AQ LT1200 SPLASHBACK

Aquatica Warranty

Aquatica NZ Limited offer the following warranty periods on its range of tapware from the date of purchase.

Residential Use

- Tapware - 5 year warranty
- Handshowers, Shower Roses - 2 year warranty
- Pull-out Sprays and spray heads on Sink Mixer Coils - 2 year warranty
- Commercial tapware - 2 year warranty

Commercial Use

- Tapware - 1 year warranty
- Handshowers, Shower Roses - 1 year warranty
- Pull-out Sprays and spray heads on Sink Mixer Coils - 1 year warranty

Only high quality workmanship and materials have been used in the manufacture of Aquatica's tapware.

If any workmanship or material is proven faulty during the warranty period, Aquatica NZ Limited will, at its own cost or option, repair or replace the faulty product.

The warranty is transferable but the original proof of purchase from an authorised Aquatica distributor is required for all claims.

Aquatica's liability will not extend to damage caused by reasonably foreseeable loss such as inappropriate materials in a wet area ie. floating wooden floors.

Waterlines to tapware incorporating a ceramic cartridge or ceramic disc mechanism should have an inline strainer or filter fitted. Absence of these may void the warranty.

Any suspected defect must be notified to Aquatica as soon as possible after discovery. All repair work must be performed by a plumber who has received authorisation from Aquatica prior to proceeding with the work.

Aquatica may immediately authorise repair work to be undertaken, however, this is not necessarily acceptance of liability.

Aquatica guarantee that the tapware will be able to handle temperatures up to a maximum of 70°C.

Water pressure up to 1000 kPa is the maximum limit for the tapware. Above this the warranty will become void.

Serial numbers or tags should not be removed from the products as they are essential in establishing warranty.

Aquatica NZ Limited

9 Saunders Place,
 Avondale, Auckland.
 Tel: 09-828 2068,
 Fax: 09-828 2069
 Email: info@aquatica.co.nz
 or visit our website:
www.aquatika.co.nz

